



SIMARINE

EN

PICO and PICOone Battery and Tank Monitoring System



USER MANUAL

Revision 1.4

www.simarine.net



Table of contents

- 1 Introduction5
- 2 Accessories.....5
- 3 Safety5
- 4 Declaration of conformity6
- 5 Installation6
 - 5.1 PICO mounting6
 - 5.2 PICO standalone7
 - 5.3 PICO panel-mount8
 - 5.4 Connecting10
 - 5.4.1 Power cable10
 - 5.4.2 SiCOM data cable.....10
 - 5.4.3 How to connect a SC301/SC302T/SC500/SC501 Shunt11
 - 5.4.4 How to connect a SCQ25 Quadro Digital Shunt module11
 - 5.4.5 How to connect a Shunt SCQ25T Quadro Digital Shunt and Tank module11
 - 5.4.6 How to connect a ST107 Tank module11
- 6 Basic setup12
 - 6.1 Start screen after first connection13
 - 6.2 Language settings.....13
 - 6.3 Units13
 - 6.4 Battery configuration14
 - 6.4.1 Add new battery14
 - 6.5 Tank configuration15
 - 6.5.1 Add new Tank15
- 7 Displaying battery, tank, temperature and air pressure measurements.....16
 - 7.1 BATTERIES SCREEN17



SIMARINE

EN

- 7.2 TANKS SCREEN 18
- 7.3 TEMPERATURES SCREEN 18
- 7.4 BAROGRAPH SCREEN 19
- 7.5 INCLINOMETERS SCREEN 19
- 8 Device configuration 19
 - 8.1 GENERAL SETTINGS 19
 - 8.1.1 SCREEN 20
 - 8.1.2 DEVICE 20
 - 8.1.3 LANGUAGE 21
 - 8.1.4 UNITS 21
 - 8.2 DATA MANAGEMENT 22
 - 8.3 DEVICES 22
 - 8.3.1 BATTERIES 23
 - 8.3.2 TANKS 25
 - 8.3.3 TEMPERATURE SENSORS 27
 - 8.3.4 INCLINOMETERS 28
 - 8.3.5 CURRENT SENSORS 30
 - 8.3.6 VOLTMETERS 32
 - 8.3.7 OHMMETERS 32
 - 8.3.8 COULOMB COUNTER 32
 - 8.4 WI-FI 33
 - 8.4.1 OPERATION 33
 - 8.4.2 AUTO OFF 33
 - 8.4.3 MODE 33
 - 8.4.4 SSID 33
 - 8.4.5 TCP IP 34
 - 8.4.6 TCP PORT 34
 - 8.4.7 UDP IP 34



- 8.4.8 UDP PORT 34
- 8.4.9 PASSWORD 34
- 8.4.10 WI-FI RESET 34
- 8.5 DATE & TIME 34
 - 8.5.1 TIME 35
 - 8.5.2 DATE 35
 - 8.5.3 TIME ZONE 35
 - 8.5.4 TIME FORMAT 35
 - 8.5.5 DATE FORMAT 35
- 8.6 BAROGRAPH 35
 - 8.6.1 ALTITUDE 35
 - 8.6.2 TIME INTERVAL 35
- 8.7 SYSTEM 36
 - 8.7.1 COMMUNICATION DEVICES 36
 - 8.7.2 SYSTEM INFO 36
 - 8.7.3 SYSTEM RESET 36
- 9 Mobile App 36
 - 9.1 Save and restore settings 37
 - 9.2 Firmware Upgrade 38
- 10 Technical Specifications 39
- 11 APPENDIX 40
 - 11.1 SC500 40
 - 11.2 2x SC500 41
 - 11.3 SC500 AND ST107 42
 - 11.4 ST107 43
 - 11.5 SCQ25T 44



1 Introduction

Congratulations on your purchase of the Simarine PICO Battery Monitor. Simarine developed a state of the art DC Battery monitor.

Simarine PICO is a water and dust resistant device used to monitor DC power sources as batteries and solar panels. The information is displayed on a large 3,5" high resolution IPS display with Gorilla® Glass and anti-reflective coating to ensure superior visibility.

PICO is capable of monitoring up to 6 batteries, 14 tanks, 14 temperatures and 20 independent current sensors (Shunts).

PICOone is capable of monitoring up to 2 batteries, 2 tanks, 2 temperatures and 20 independent current sensors (Shunts).

PICO and PICOone are equipped with a Wi-Fi module to communicate with the PICO application available for Android™ and iPhone® smartphones. The application allows accessing live data, analyzing history data, configuring PICO and perform a firmware upgrade of PICO.

2 Accessories

SC300 and SC201 Digital Shunt – Simarine High Precision 300A Shunt

SC500 and SC501 Digital Shunt – Simarine High Precision 500A Shunt

SC302T Digital Shunt – Simarine High Precision 300A Shunt with 2 resistance inputs for tank level measurement and 2 voltage inputs for measuring voltages of two batteries.

SCQ25 Quadro Digital Shunt Module – Simarine High Precision 4x25A Shunt

SCQ25T Quadro Digital Shunt and Tank Module – Simarine High Precision 4x25A Shunt and Tank Interface Module with 4 resistance and 3 voltage inputs.

ST107 Digital tank interface module with 4 resistance and 3 voltage Inputs

3 Safety

Installation of Simarine electronics should be made by electrical specialists with proper safety equipment. When working with batteries you should wear protective clothing and eye protection.



CAUTION: Batteries contain acid, a corrosive, colorless liquid that will burn your eyes, skin and clothing. Should the acid come in contact with eyes, skin or clothing, wash it immediately with soap under fresh water for at least 15 minutes, and seek medical support immediately.

CAUTION: Do NOT connect anything to a damaged battery. It could heat up, catch fire or explode.

CAUTION: Lead-acid batteries can generate explosive gases during operation. Never smoke, allow flames or sparks near the battery. Make sure to keep sufficient ventilation around the battery.

CAUTION: When working with a battery, remove all personal metal items like watches, rings, necklaces and bracelets. Metal items in contact with the battery terminals might cause a short circuit with a very high electric current, which may heat up and melt nearby objects and cause severe burns.

4 Declaration of conformity



MANUFACTURER: SIMARINE d.o.o.
ADDRESS: Ulica skofa Maksimilijana Drzecnika 6,
SI-2000 Maribor, Slovenia, EU

Declares that the following product:

PRODUCT TYPE: PICO

Conforms to the requirements of the following Directives of the European Union:
EMC Directive 2014/30EU, RoHS Directive 2002/95/EC

The above product is in conformity with the following harmonized standards:

EN61000-6-3: 2001 EMC - Generic Emissions Standard, EN61000-6-2: 2005 EMC - Generic Immunity Standard

5 Installation

5.1 PICO mounting

Simarine PICO should be installed in a visible place to provide good readability.

Please note that ONLY the PICO/PICOone display unit is water and dust resistant!

Any other modules including splitter should not be exposed to high humidity or



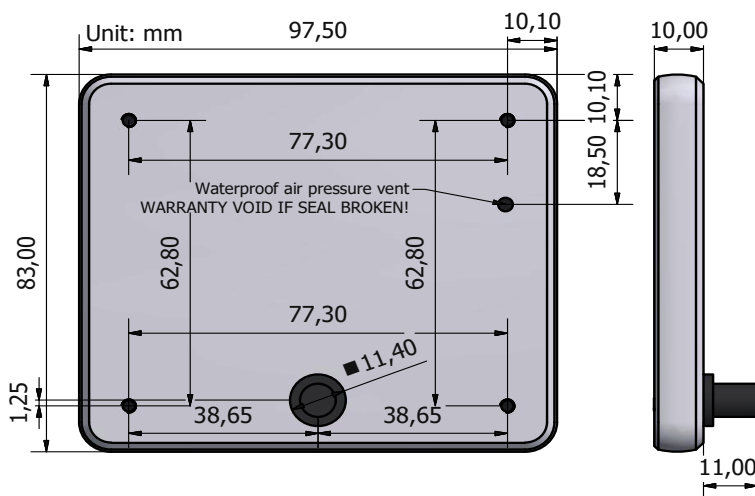
liquids in any case. The mounting process and installation cutouts depend on the model, as described in following sections.

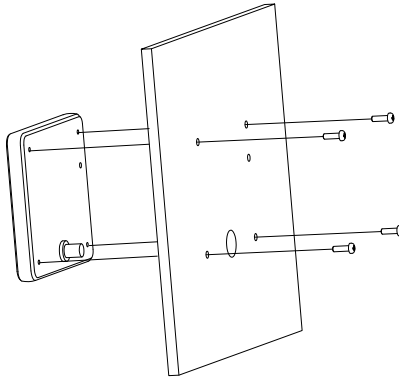
5.2 PICO standalone

PICO Standalone version has dimensions of 98 x 84 x 10 mm (3.85 x 3.30 x 0.39 in) and needs NO installation cutout. The mounting process requires drilling of 5 (PICOone) or 6 (PICO) mounting holes and access to the rear of the mounting surface. In case you have NO rear access, you can bond it using supplied double sided tape.

Step to be taken for proper mounting:

1. Before the drilling, check if there is enough space to mount your PICO.
2. Mark mounting holes using the supplied installation template.
3. Drill all holes.
4. Connect the connector on the back side of PICO to the splitter cable (be sure to align the pins correctly) and fasten it by turning the safety ring clockwise.
5. Finish mounting PICO from the back side with the supplied threaded rod and nuts. Screws, rods and nuts **MUST** be fastened by hand. Excessive force may damage the threads on PICO.



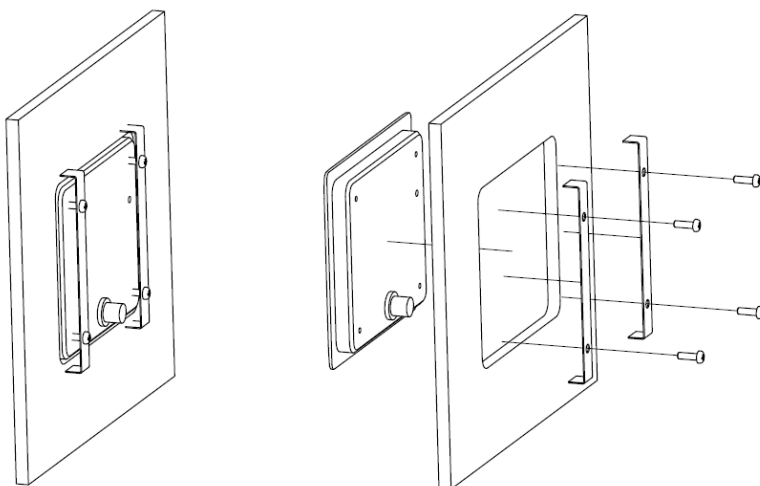
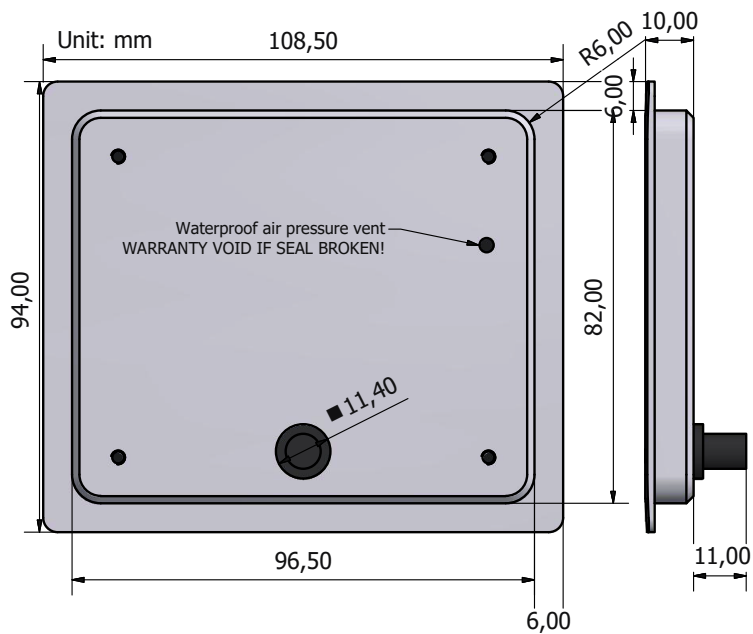


5.3 PICO panel-mount

PICO Panel-mount version dimensions are 108.5 x 94 x 10 mm (4.27 x 3.70 x 0.39 in). It needs an installation cutout of 98 x 83mm. It can be mounted with supplied threaded rods and brackets or bonded with adhesive if there is no rear access to the mounting surface.

Steps to be taken for proper mounting:

1. Before cutting out, check if there is enough space for your PICO.
2. Mark the cutout line with the supplied installation template.
3. Using a saw, carefully cut out the marked area.
4. Connect the connector on the back side of PICO to the splitter cable (be sure to align the pins correctly) and fasten it by turning the safety ring clockwise.
5. Finish mounting PICO from the back side with the supplied threaded rod and nuts. Screws, rods and nuts **MUST** be fastened by hand. Excessive force may damage the threads on PICO.





5.4 Connecting

5.4.1 Power cable

Minimum power cable cross-section requirement at maximal temperature of insulation: 70 °C (160 °F).

Continuous current	Cable cross-sectional area
500 A	220 mm ²
400 A	150 mm ²
300 A	95 mm ²
200 A	50 mm ²
100 A	25 mm ²

CAUTION: Failure to observe the required cable cross-sections can damage the shunt, wiring, or cause fire.

5.4.2 SiCOM data cable

For the SiCOM connection use the supplied cable. If not possible, use the following table to determinate the right cable type.

Cable length	Cable type
< 5m	No limitations
>= 5m	2 x 2 x 0.25 mm ² Twisted pair (recommended)

PICO is connected to the SiCOM bus via attached Splitter, which is an entry point for other devices and for the power connection. Splitter must be connected to the power (6-35V) with red/black cable. It is recommended that the power cable is connected behind the main switch, so you can power off the complete system, although the total power consumption of the system is very low (usually <100mA at normal operation).



5.4.3 How to connect a SC301/SC302T/SC500/SC501 Shunt

You can find the latest SC300/SC500 Digital shunt manual on this [link](#) (or visit our website: <https://www.simarine.net>).

5.4.4 How to connect a SCQ25 Quadro Digital Shunt module

You can find the latest SCQ25 QUADRO DIGITAL SHUNT MODULE on this [link](#) (or visit our website: <https://www.simarine.net>).

5.4.5 How to connect a Shunt SCQ25T Quadro Digital Shunt and Tank module


You can find the latest SCQ25 QUADRO DIGITAL SHUNT AND TANK MODULE manual on this [link](#) (or visit our website: <https://www.simarine.net>).

5.4.6 How to connect a ST107 Tank module

You can find the latest ST107 TANK MODULE manual on this [link](#) (or visit our website: <https://www.simarine.net>).



6 Basic setup

PICO's menu management is transparent and easy to use. All changes can be done using four touch buttons below the screen. Menus and settings on the picture below can differ from the menus and settings on your device, since future firmware upgrades might cause some minor changes in the menus and settings. Long press  button to enter the settings menu.



A – Label indicates current position in the menu

B – Currently selected item

C – Arrow indicates there is at least one more menu item in arrow direction

D – Arrow indicates there is a sub menu

E – Arrow indicates there is at least one more menu item in arrow direction

F – **BACK BUTTON**, is used to navigate one level back or leave the settings menu.

G – **UP BUTTON** is used to navigate up in the menu, or changing value or switching screens in live view.

H – **DOWN BUTTON** is used to navigate down in the menu, or changing value or switching screens in live view.

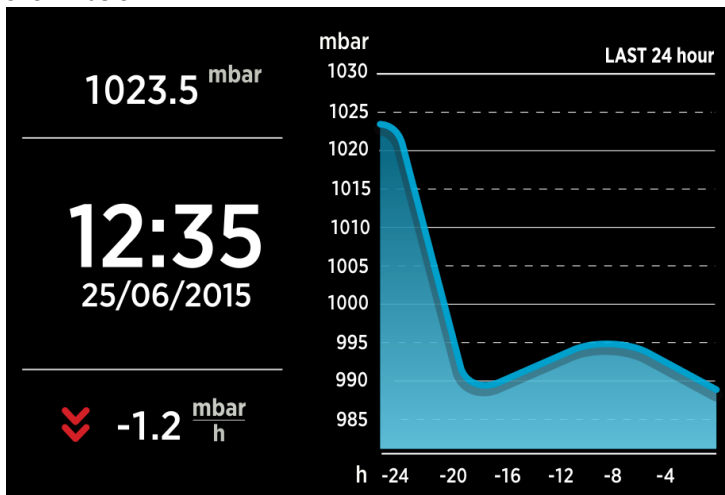
I – **ENTER BUTTON**, long press activates settings, short press commits changes or enters selected submenu.




6.1 Start screen after first connection

After installation and first connection you should see a screen similar to the one shown below.

EN



After the first power-on there are no batteries and tanks defined and PICO only shows a barograph screen. Please long press  button to enter the settings menu.

6.2 Language settings

You can change the device's language by navigating to GENERAL SETTINGS → LANGUAGE. You can choose between English and German language. More languages will be added with future firmware upgrades.

6.3 Units

You can change units by navigating to GENERAL SETTINGS → UNITS. There, you can select your preferred units for pressure, temperature, tank volume and altitude.



6.4 Battery configuration

PICO shows all properly configured batteries. Each correctly configured battery will automatically show up on PICO. The following section describes how to set up a battery on PICO.

EN

6.4.1 Add new battery

The following steps are equal for SC301, SC302T, SC500, SC501 digital shunts.

In the settings menu, navigate to DEVICES → BATTERIES.

Select “Add new” and fill in the requested data.

- Name the battery/battery bank accordingly (STARTER, SERVICE, MAIN, etc.)
- Select the battery type (Wet low maintenance, Wet maintenance free, AGM, Deep cycle, Gel, LiFePO4)
- Fill in the battery capacity for the next C ratings: C/20, C/10 and C/5. If you don't know all the ratings, fill in just those ratings that you know. It is highly recommended to fill at least two C ratings (one is not enough for precise calculations).

A “C” rating is simply a battery's capacity (or Ah/amp hour rating) when discharged over a specific period. The “C” rating is usually specified on the battery label.

For correct operation, unknown ratings must be set as “Not set”!


- Select a voltmeter which is connected to the battery. You can see only voltmeters that are not already used by other battery configurations.

SETTINGS

< VOLTMETERS

PICO INTERNAL	11.851 ^v
SC500 [0216735249]	12.428 ^v
ST107 [0167137256] U1	0.000 ^v
ST107 [0167137256] U2	0.000 ^v
ST107 [0167137256] U3	0.000 ^v



- Select the current sensor which is connected to the battery. You can select only current sensors that are not already used by an existing battery configuration.
For a battery configuration without a shunt, leave current sensor empty.
- Select a temperature sensor if you have one installed.
- Confirm and save the battery configuration with  button.

The newly added battery should now be visible on one of the PICO's screens once you exit the settings menu.

6.5 Tank configuration

PICO shows all properly configured Tanks. Each configured Tank will automatically show up on PICO.

The following section describes how to set up a tank on PICO.

6.5.1 Add new Tank

The following steps are equal for SCQ25T/SC302T/ST107 modules. It is required to properly install your module of choice. The installation is described in the corresponding module manual. After successfully installing the module, you can configure the tank by following these steps:


In the settings menu, navigate to DEVICES → TANKS.

Select "Add new" and fill in the requested data.

- NAME - Name the tank accordingly (FRESH WATER, WASTE WATER, FUEL 1 etc.)
- TYPE - Select the tank type (WATER, FUEL, WASTE WATER), which defines the color of the tank on PICO's screen.
- SENSOR TYPE - Select the used sensor type (RESISTANCE or VOLTAGE)
- SENSOR - Select the used sensor from the list.



SETTINGS	
◀ OHMMETERS	
SC500 [0216835249]	10060
ST107 [0167137256] R1	65535
ST107 [0167137256] R2	65535
ST107 [0167137256] R3	65535
ST107 [0167137256] R4	404

- CAPACITY – Input the tank full capacity.
- CALIBRATION POINTS – Add calibration points for different tank levels. At least two calibration points are required for proper configuration. More calibration points will enable PICO to show tank level more accurately. Up to 11 calibration points can be added. For each calibration point, tank fill volume (liters or gallons) and a corresponding sensor value (resistance or voltage) must be set.
- Confirm and save the tank configuration with  button.

The newly added tank should now be visible on one of the PICO's screens once you exit the settings menu.

7 Displaying battery, tank, temperature and air pressure measurements

You can switch between different screens by pressing the up and down arrow buttons.

There will be a separate screen for each battery with at least one connected current sensor (shunt).

Multiple batteries without a current sensor (measuring voltage only) may be joined on a single screen.



Up to four tanks and four thermometers are also joined on a single screen. If there are more, they are divided into two (or more) screens.

There is also a separate barograph screen on PICO (not on PICOone).

7.1 BATTERIES SCREEN

Screens for showing battery data differ depending on how many current sensors are connected to a certain battery.

If the battery is only connected to a voltage sensor (without current sensor), the battery name, approximate state-of-charge (SOC) and current voltage are displayed. The calculation of SOC takes some time, so it may not be shown immediately after power-on.

Up to three batteries without current sensor can be shown on a single screen. If there are more, they are divided to two or more screens.

If the battery is connected to a voltage sensor and a single current sensor (shunt), some additional data are displayed: time to charge / time to discharge and electrical current (amps). SOC can be calculated more accurately if a current sensor is connected. Time to discharge is calculated by using an average consumption during some period of time.

If there is more than one current sensor (shunt) connected to the battery (e.g. for monitoring different consumers or generators, connected to the battery), their data (amps) is also shown on the battery page.

! PICO's algorithm for calculating state-of-charge (SOC) is not a simple Ah-counter.

It is constantly monitoring battery current, voltage and temperature. These data are compared to the internal battery model and its parameters are constantly being adjusted so that the model fits to the actual data.

The algorithm needs some time to adjust the parameters (learning phase) and it will improve accuracy during the first few cycles.



7.2 TANKS SCREEN

Tanks screen shows current level of connected and properly configured tanks. Up to four tanks can be shown on a single screen. If there are more, they are divided to two or more screens.

For each tank, you can find its name, graphical representation of the current level, and numerical values of the current level as a percentage and as volume unit (liters, gallons).

Depending on the selected tank types, they may be represented by different colors.

Tank order, colors, names, capacities and capacity units may be changed in the settings menu.

If the tank sensor is not selected in the tank settings or the sensor is disconnected from the PICO system, the “OFFLINE” symbol will appear on the screen. If this situation occurs, please check the **sensor** setting of the tank. If sensor is selected, please check if all the cables are properly connected.

7.3 TEMPERATURES SCREEN

Temperatures screen shows current temperatures of connected and properly configures temperature sensors. Up to four temperature sensors can be shown on a single screen. If there are more, they are divided to two or more screens.

For each sensor, you can find its name, graphical representation of the current temperature, and numerical value of the current temperature in chosen unit (°C or °F).

Thermometer order, names, min. and max. ranges and temperature units may be changed in the settings menu.


If the **device** is not selected in the temperature sensor settings or the device is disconnected from the PICO system, the “OFFLINE” symbol will appear on the screen. If this situation occurs, please check the **device** setting of the temperature sensor. If device is selected, please check if all the cables are properly connected.



7.4 BAROGRAPH SCREEN

The symbol on the left show the current air pressure trend. Arrow shows trend direction (up – rising or down – falling). If the pressure is rising or falling rapidly (1.0 mbar/h or more), two arrows are shown.

Below the trend symbol, two values show the current trend and current sea level pressure.

You can find the barograph on the right side. The default interval for the barograph can be changed in the settings menu (BAROGRAPH → TIME INTERVAL). However, you can also manually switch between different time intervals on the barograph screen by shortly pressing the  button.

The screen is only available on PICO. There is no barograph support on PICOone.


7.5 INCLINOMETERS SCREEN

If you have an inclinometer installed, the “Inclinometers screen” shows you pitch and roll data.

Pitch is shown on the left side of the screen. The left side of the line represents the front of the vehicle or boat (bow), while the right side of the line represents the back of the vehicle or boat (stern). The pitch angle in degrees is shown below the line (positive value meaning front facing up and vice versa).

Roll is shown on the right side of the screen. The left side of the line represents the left-hand side of the vehicle or boat. The roll angle in degrees is shown below the line (positive value meaning left-hand side up and vice versa.).

8 Device configuration

You can enter the settings menu by long pressing the  button. To navigate through the menu, use up and down arrow buttons. To select item, press enter button. To navigate one level back, use back button.

8.1 GENERAL SETTINGS

This menu offers screen, language, units and sleep settings.



8.1.1 SCREEN

EN

SETTINGS	
SCREEN	
AUTO BRIGHTNESS	OFF
BRIGHTNESS	80%
MIN. BRIGHTNESS	10%

8.1.1.1 AUTO BRIGHTNESS

When auto brightness is enabled, PICO's internal light sensors automatically adjust the screen brightness to match the ambient lighting conditions.

8.1.1.2 BRIGHTNESS

This is the brightness level to be used during normal operation. When AUTO BRIGHTNESS is enabled, this is the maximum brightness level.

8.1.1.3 MIN. BRIGHTNESS

Min. brightness has two functions.

1. When PICO is in sleep mode the illumination is set to min. brightness level.
2. When AUTO BRIGHTNESS is enabled, it defines the minimum illumination.

8.1.2 DEVICE

SETTINGS	
DEVICE	
AUTO SLEEP	ON
SLEEP AFTER	1m 40s
SLEEP SCREEN	ON



8.1.2.1 AUTO SLEEP

If enabled, PICO goes into sleep mode after SLEEP AFTER time.

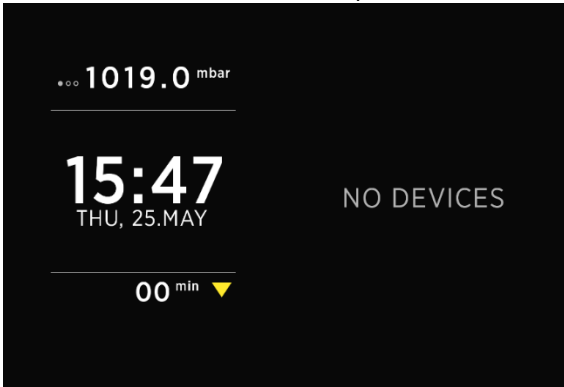
EN

8.1.2.2 SLEEP AFTER

Time after which the PICO goes into sleep mode if AUTO SLEEP setting is enabled.

8.1.2.3 SLEEP SCREEN

If SLEEP SCREEN is enabled, PICO will show sleep screen if it is in sleep mode.



8.1.3 LANGUAGE

You can choose between English and German language. More languages will be added with future firmware upgrades.

8.1.4 UNITS

You can choose different international units for pressure, temperature, volume and altitude.



8.2 DATA MANAGEMENT

This menu enables you to set up alarms for certain measurements. Here, you can choose the quantity, the device, low and high values for alarm, and you can turn the high/low value alarms on and off.

- ALARM LOW: Low value alarm fires when the measured value is lower than the set up **alarm value**.
- ALARM HIGH: High value alarm fires when the measured value is higher than the set up **alarm value**.

After you select ALARM LOW or ALARM HIGH, the following alarm settings will appear:

- ALARM STATE: Used to enable or disable the alarm
- ALARM VALUE: Limit value which fires the alarm
- SILENT: If this option is enabled, there will be no audible signal when the alarm fires. The alarm warning will only appear on PICO's screen.
- ALARM DELAY: The time delay with which the alarm is fired. The alarm fires only when the measured value is below (for alarm low) or above (for alarm high) the "alarm value" during the delay period.
- OUTPUT: The digital output that is turned on during the alarm

8.3 DEVICES

Here, you can manage all the devices that are connected to your PICO. When you connect a new module to your PICO system (e.g. a new shunt), some new devices will automatically appear on the devices list (e.g. current sensors, voltmeters, ohmmeters...). These devices can appear automatically because they are integrated into the modules. But "secondary" devices - those that are connected to the modules (BATTERIES, TANKS, THERMOMETERS, analog INCLINOMETERS) - will not be added automatically. If you connect a new battery, tank or thermometer, you have to add and configure the new device manually in the DEVICES menu.

Devices are grouped into different device types. To view, manage, add or delete a certain device, please select the corresponding device type from the list (e.g. BATTERIES, TANKS, ...).



8.3.1 BATTERIES

This is the list of the batteries which you have added to your PICO. By selecting a certain battery, you can view or change its settings, and you can delete the battery if you need to. By selecting “Add new”, you can add a new battery.

! After adding a new battery or changing settings of an existing battery, the algorithm for calculating state-of-charge (SOC) needs some time to adjust the parameters of its battery model (learning phase). It will improve accuracy during the first few cycles.

8.3.1.1 NAME

Here, you can view or edit the battery name.

8.3.1.2 TYPE

Here, you can view or change the battery type. The following types are supported:

- WET LOW MAINTENANCE
- WET MAINTENANCE FREE
- AGM
- DEEP CYCLE
- GEL
- LiFePO4

8.3.1.3 CAPACITY

The nominal battery capacity for the next C ratings: C/20, C/10 and C/5. If you don't know all the ratings, fill in just those ratings that you know. It is highly recommended to fill at least two C ratings (one is not enough for precise calculations). A “C” rating is simply a battery's capacity (or Ah/amp hour rating) when discharged over a specific period. The “C” rating is usually specified on the battery label or on the battery datasheet.

For correct operation, unknown ratings must be set as NOT SET!

8.3.1.4 VOLTMETER

A voltmeter which is connected to the battery. You can see only voltmeters that are not already used by other battery configurations.



SETTINGS

< VOLTMETERS

PICO INTERNAL	11.851 ^v
SC500 [0216735249]	12.428 ^v
ST107 [0167137256] U1	0.000 ^v
ST107 [0167137256] U2	0.000 ^v
ST107 [0167137256] U3	0.000 ^v

8.3.1.5 AMMETERS

Current sensor (shunt) which is connected to the battery. You can only select current sensors that are not already used by other device's configuration. For a battery configuration without a shunt, leave current sensor empty.

8.3.1.6 TEMPERATURE SENSORS

Temperature sensor which is connected to the battery. You can only select sensors that are not already used by other device's configuration.

8.3.1.7 ADVANCED SETTINGS

Advanced users may adjust some additional battery settings to customize the battery data display. It is not mandatory to change these settings – the defaults should be suitable for most users.

- **TTG AVG** – averaging interval for calculating TTG (time-to-go). “Short” means that TTG will respond to the change in current more quickly, and “Very long” means that TTG will respond to the change in current more slowly.
- **TTG SOC MIN** – Target state-of-charge (%) for the time-to-go calculation during battery discharge. TTG shows the time when the battery will reach the preset TTG SOC value.
- **CEF** – charging efficiency (%).
- **DISPLAY TYPE** – “Detailed” display type also shows the amp-hour counter on the Batteries screen.



8.3.2 TANKS

This is the list of the tanks which you have added to your PICO. By selecting a certain tank, you can view or change its settings, and you can delete the tank if you need to. By selecting “Add new”, you can add a new tank.

8.3.2.1 NAME

Here, you can view or edit the tank name.

8.3.2.2 TYPE

Here, you can view or change the tank type. You can choose between WATER, FUEL and WASTE WATER. Tank type is used solely for the color that will represent the tank on PICO’s screen. Each type has a different color.

8.3.2.3 SENSOR TYPE

You can select or change the sensor type that is used to measure the tank level. You can choose between RESISTANCE and VOLTAGE sensor types.

8.3.2.4 SENSOR

Voltage or Resistance sensor which is used to measure the tank level. Here, you can view or select the corresponding sensor. You can only select sensors that are not already used by other device’s configuration.

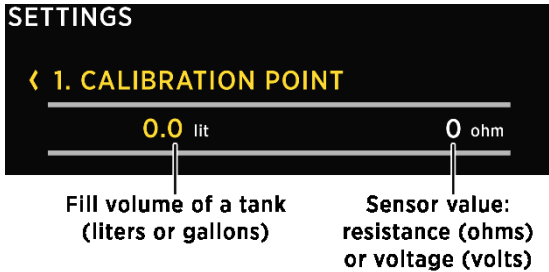
8.3.2.5 CAPACITY

Used to set up the tank full capacity.



8.3.2.6 CALIBRATION POINTS

Here, you can view the list of calibration points for this tank. You can also add new calibration points or remove existing ones. If you are adding a new tank, at least two calibration points have to be added for a proper configuration. More calibration points will enable PICO to show tank level more accurately. Up to 11 calibration points can be added.

For each calibration point, tank fill volume and a corresponding sensor value (resistance or voltage) must be set.



To add a new calibration point:

- select CALIBRATION POINTS → Add New
- Two values will appear on the screen. The value on the left shows the tank fill volume, and the value on the right shows the corresponding sensor value (resistance in ohms or voltage). Press  to set up a tank level. The left value turns yellow.
- Use arrow buttons to input a desired tank level in liters or gallons. Press  to confirm the value.
- Now, the right value (resistance or voltage) turns yellow. A menu pops up which allows you to choose:
 - MEASURED VALUE: use currently measured value by the chosen sensor (resistance or voltage)
 - INPUT VALUE: when selecting this item, you can manually enter the desired value (resistance or voltage)
 - DELETE: when selecting this item, the calibration point is deleted

8.3.2.7 DISPLAY PRIORITY

This setting enables you to choose between the following display priorities: HIGH, MEDIUM, LOW and HIDE.

The display priority is used for ordering the tanks on PICO's screen. When tanks are shown on the screen, those with HIGH display priority are shown first (leftmost), followed by tanks with MEDIUM display priority. Tanks with LOW display priority are shown last. If you select HIDE, this tank's level will not be shown on the Tanks screen (it will be hidden).

8.3.2.8 DELETE

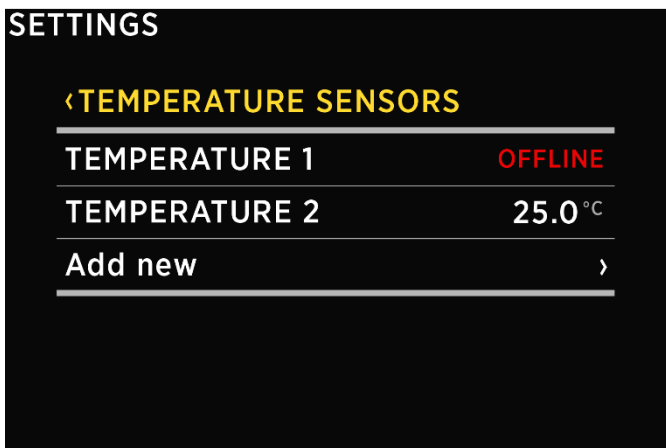
With this option, you can delete the selected tank.



8.3.3 TEMPERATURE SENSORS

This is the list of the temperature sensors which you have added to your PICO. By selecting a certain sensor, you can view or change its settings, and you can delete it if you need to. By selecting “Add new”, you can add a new temperature sensor.

EN



8.3.3.1 NAME

Here, you can view or edit the temperature sensor name.

8.3.3.2 TYPE

Here, you can view or change the temperature sensor type. Two types are supported: NTC 10K and NTC 5. These are 10kOhm and 5kOhm thermistors with a negative temperature coefficient.

8.3.3.3 DEVICE

The device and input which the sensor is connected to. For example: if the sensor is connected to the ST107 module and its input R1, select the option **ST107 [serial number] R1**.

8.3.3.4 DISPLAY PRIORITY

This setting enables you to choose between the following display priorities: HIGH, MEDIUM, LOW and HIDE.

The display priority is used for ordering the thermometers on PICO's screen. When thermometers are shown on the screen, those with HIGH display priority are shown



first (leftmost), followed by thermometers with MEDIUM display priority. Thermometers with LOW display priority are shown last. If you select HIDE, this thermometer's level will not be shown on the Temperatures screen (it will be hidden).

8.3.3.5 RANGE MIN

PICO shows thermometer with a graphical representation (vertical bar), together with the current numerical value. This option defines minimum value (temperature) of the thermometer bar.

8.3.3.6 RANGE MAX

PICO shows thermometer with a graphical representation (vertical bar), together with the current numerical value. This option defines maximum value (temperature) of the thermometer bar.

8.3.3.7 CALIBRATION

This setting enables you to calibrate the sensor value. If the displayed value is too high, you can use a negative calibration value (offset). If the displayed value is too low, you can use a positive calibration value (offset).

8.3.3.8 DELETE

With this option, you can delete the selected temperature sensor.

8.3.4 INCLINOMETERS

This is the list of inclinometer sensors which you have added to your PICO. By selecting a certain sensor, you can view or change its settings, and you can delete it if you need to. By selecting "Add new", you can add a new analog sensor with voltage output.

8.3.4.1 NAME

Here, you can set the inclinometer sensor name to "Pitch" or "Roll".

8.3.4.2 STYLE

You can choose between different graphical representations of the inclinometer on the mobile app: line, caravan or camper. Note that this setting is only available on the mobile app.



8.3.4.3 SENSOR

The analog (voltage) input to which the analog sensor is connected.

EN

8.3.4.4 NONLINEAR

You can enable or disable a nonlinear display of the angle. If the nonlinear setting is disabled, the line on the screen is plotted exactly at the (true) pitch or roll angle. Since it might be difficult to distinguish small angles, you can enable the nonlinear display of the angle. In this mode, the line is plotted at a greater angle if the true pitch or roll angle is small. While it is much easier to observe small angles and small changes in this mode, the angle of the line does not represent the true angle (it is exaggerated).

8.3.4.5 CALIBRATION

Used to calibrate the analog sensor. You can set voltage for zero point (angle 0°) and step (millivolts per degree).

8.3.4.6 DISPLAY

With this setting, you can show or hide the inclinometer on PICO's screen.

8.3.4.7 REVERSE

If the inclinometer shows the inverse value for pitch or roll angle (e.g. left instead of right), you can enable this option to reverse the display.

8.3.4.8 DELETE

With this option, you can delete the selected inclinometer sensor.



8.3.5 CURRENT SENSORS

List of all current sensors (shunts). Connected current sensors are added to the list automatically. You cannot manually add a new current sensor. . In this list, you can view current readings (amperes) for all connected current sensors.

EN

SETTINGS

< SHUNTS

SC500[0216835249]	-1.01 ^A
SCQ25[04377773054] 1	1.04 ^A
SCQ25[04377773054] 2	0.00 ^A
SCQ25[04377773054] 3	0.00 ^A
SCQ25[04377773054] 4	0.00 ^A

By selecting a certain sensor, you can view or change its settings.

8.3.5.1 NAME

Here, you can view or edit the current sensor name.

8.3.5.2 RANGE

PICO shows the current sensor with a graphical representation (horizontal bar), together with the current numerical value. This value defines the maximum value (amps) for the horizontal bar.

8.3.5.3 REVERSE CURRENT

If you swap the wires on the shunts terminals, PICO will show the opposite value of the current. E.g. when discharging, PICO will show charge current and vice-versa. In such situation, you can use this setting to reverse the current value. If you set this value to ON, PICO will reverse the measured value.

8.3.5.4 ADD CURRENT

There can be multiple current sensors (shunts) connected to a single battery. With this setting, you can define which currents must be added together to get the total



current on a certain battery. Set this value to ON for all the shunts which should be added together to calculate the total current on the battery. Set this value to OFF for all the other shunts.

Example 1: One sensor may monitor the total current on the battery, and other sensors may be used to monitor certain consumers or generators. Set this value to ON for the sensor which monitors the total current on the battery. Set this value to OFF for all the other sensors.

Example 2: Three shunts may be connected to the battery in parallel, to monitor the consumption in three different branches. To calculate the total current on the battery, the currents of all three shunts must be added together. In such scenario, set the value to ON for all three shunts.

8.3.5.5 BATTERY

Used to select the battery to which the sensor is connected to.

8.3.5.6 DISPLAY PRIORITY

This setting enables you to choose between the following display priorities: HIGH, MEDIUM, LOW and HIDE.

The display priority is used for ordering the current sensors on PICO's screen. When current sensors are shown on the screen, those with HIGH display priority are shown first (at the top), followed by sensors with MEDIUM display priority. Sensors with LOW display priority are shown last (at the bottom). If you select HIDE, this sensor will not be shown on the Batteries screen (it will be hidden).



8.3.6 VOLTMETERS

List of all voltmeter sensors connected to PICO. Connected voltmeters are added to the list automatically. You cannot manually add a new voltmeter. In this list, you can view current readings (voltages) for all connected voltmeters.

EN

SETTINGS

< VOLTMETERS

PICO INTERNAL	11.851 ^v
SC500 [0216735249]	12.428 ^v
ST107 [0167137256] U1	0.000 ^v
ST107 [0167137256] U2	0.000 ^v
ST107 [0167137256] U3	0.000 ^v

8.3.7 OHMMETERS

List of all ohmmeters connected to PICO. Connected ohmmeters are added to the list automatically. You cannot manually add a new ohmmeters. In this list, you can view current readings (resistance in ohms) for all connected ohmmeters.

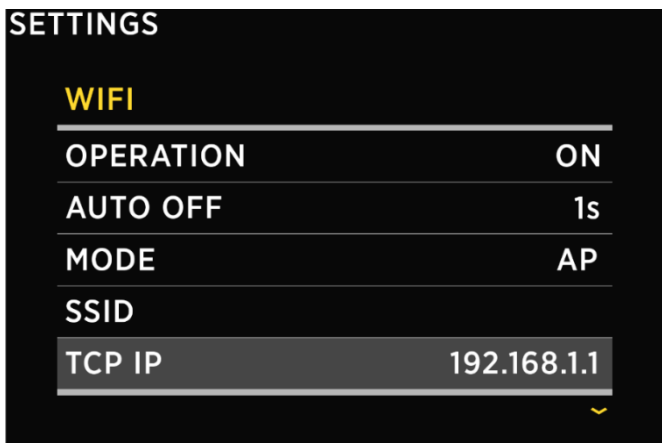
8.3.8 COULOMB COUNTER

For each connected current sensor, a corresponding Coulomb counter will also appear on the devices list. Each Coulomb counter shows total electric charge (in Ah, amp hours) that has been transferred through this sensor until now. By selecting a certain Coulomb counter, you can manually reset the counter to zero.



8.4 WI-FI

This menu offers basic Wi-Fi settings for your PICO.



8.4.1 OPERATION

When set to ON, Wi-Fi module is enabled. Otherwise it is disabled.

8.4.2 AUTO OFF

Defines the time after which the Wi-Fi module will automatically turn off (auto turn-off) if not connected to a smartphone. Setting 0s prevents auto turn-off.

8.4.3 MODE

Currently, only AP mode is supported.

When in AP mode, PICO creates its own wireless network. If you want to connect to PICO with your smart phone, please connect to the network whose name corresponds to SSID setting value. Wireless network password can be changed with PASSWORD setting. Default password is **pico<first four digits of the serial number>**. Example: if your PICO's serial number is 12345678, then the default Wi-Fi password is pico1234.

8.4.4 SSID

SSID means Service Set Identifier. This is the name of Wi-Fi network that is created by PICO. Default SSID is **Pico<last four digits of the serial number>**



Example: if your PICO's serial number is 12345678, then the default Wi-Fi SSID is Pico5678.

You can find the serial number on the sticker on the back side of PICO or in the menu under SYSTEM → SYSTEM INFO.

This is default SSID and you can change it.

8.4.5 TCP IP

Shows the default IP of PICO.

8.4.6 TCP PORT

Shows the default TCP port for communicating with PICO.

8.4.7 UDP IP

Shows the default IP to which UDP live data packets are sent.

8.4.8 UDP PORT

Shows the default UDP port for communicating with PICO.

8.4.9 PASSWORD

Default password: pico<first four digits of serial number>

Example: if your PICO's serial number is 12345678, then the default Wi-Fi password is pico1234.

You can find the serial number on the sticker on the back side of PICO or in the menu under SYSTEM → SYSTEM INFO.

This is default password and you can change it.

You cannot see current password in the menu, but you can change it by selecting the PASSWORD setting. Minimum password length is 8 characters.

8.4.10 WI-FI RESET

Should you wish to reset the Wi-Fi settings to default values, you can do so by selecting this option. New (default) Wi-Fi SSID and password are displayed on the screen. Please memorize the SSID and password so that you will be able to connect to PICO after Wi-Fi reset.

8.5 DATE & TIME

In this menu, you can set the time, date, and time zone manually, but we do not recommend to do it, because these values will be overridden by your smart phone



settings each time you connect the phone to your PICO and start Pico application. The exact time is important for the proper functioning of the device and hence it is synchronized with your phone on each connection.

However, time format and date format settings can be changed freely as these will not be overridden by your phone settings.

8.5.1 TIME

Set the current time. This value is overridden each time you connect the phone to your PICO and start Pico application.

8.5.2 DATE

Set the current date. This value is overridden each time you connect the phone to your PICO and start Pico application.

8.5.3 TIME ZONE

Set the current time-zone. This value is overridden each time you connect the phone to your PICO and start Pico application.

8.5.4 TIME FORMAT

You can choose your desired time format from the list.

8.5.5 DATE FORMAT

You can choose your desired date format from the list.

8.6 BAROGRAPH

8.6.1 ALTITUDE

Set the current PICO's altitude to correctly calculate MSLP – Mean Sea Level Pressure. The mean sea level pressure (MSLP) is the average atmospheric pressure at sea level. This is the atmospheric pressure normally given in weather reports.

8.6.2 TIME INTERVAL

The time interval is the default interval used when plotting the graph of pressure (barograph).



8.7 SYSTEM

8.7.1 COMMUNICATION DEVICES

List of all the devices (modules) that are connected to the PICO, together with the bus communication quality (%).

8.7.2 SYSTEM INFO

Displays PICO's serial number, currently installed firmware version and free memory.

8.7.3 SYSTEM RESET

Deletes all the devices from PICO.

9 Mobile App

PICO can be remotely controlled by your smart phone via Wi-Fi connection. Using the app, you can monitor current (live) data for the batteries, tanks, thermometers and barograph. You can also change PICO settings on your smart phone, and easily upgrade PICO firmware to a new version when it becomes available.

Find your **PICO – Battery Monitor** app in your mobile store by scanning the QR code below or visiting below link for your app store.



<https://play.google.com/store/apps/details?id=net.simarine.pico>

<https://itunes.apple.com/us/app/pico-battery-monitor/id1217159039>

The **Android** application also includes a Widget which displays basic battery, tank and thermometer data. If you want to use the widget, you can add it to your home screen. To add a widget, find a blank space on your home screen, then touch it and hold until an option “Widgets” appears on the screen. Touch the “Widgets” option and then select **Simarine Pico Widget** from the list. Please note that the widget only updates the data every few minutes in order to save your phone's battery.



9.1 Save and restore settings

Using your mobile app, you can save your current PICO settings to your phone, and you can restore your saved settings from your phone to your PICO.

EN

Save settings. To save settings, open your PICO mobile app and connect to your PICO. In the SETTINGS menu, choose SAVE / RESTORE SETTINGS → SAVE CURRENT SETTINGS. Name your settings and tap OK. Your settings are now saved.

Restore settings. If you want to restore your PICO's settings, open your PICO mobile app and connect to your PICO. In the SETTINGS menu, choose SAVE / RESTORE SETTINGS → RESTORE SETTINGS. A list of saved settings will appear, together with a date and time when these settings were saved. Select a desired record from the list and tap RESTORE. You will be asked to confirm your action. After pressing RESTORE once again, wait a few seconds and your settings will be restored.

! You can restore to your previously saved settings if your PICO physical configuration has not been changed (no shunts or modules have been added or removed). If your PICO physical configuration has changed, you will not be able to restore to the settings that had been saved before the configuration has changed.

If you use the same PICO physical configuration (the same number of modules and shunts) on multiple boats, it is also possible to transfer the settings from one boat to another by using the same procedure.

The application also creates automatic backup of your previous settings when you modify your settings. These backups will also be shown on the list of available saved settings when you choose to restore settings.




9.2 Firmware Upgrade

To ensure the best PICO experience it is recommended to upgrade PICO's firmware to the latest version. You can do this via **Simarine PICO – Battery Monitor smartphone application** available on your smartphone application market as described in the chapter 9 - Mobile App.

NOTICE! It is important to install the latest **Simarine PICO – Battery Monitor** application (or to update your installed application to the latest version) before proceeding with the firmware upgrade.

The upgrade process is done in the following steps:

1. Install or update the **Simarine PICO – Battery Monitor** application on your smartphone.
2. Turn on Wi-Fi on your PICO.
3. Connect your smartphone to PICO via Wi-Fi.
4. Launch the **PICO – Battery Monitor** application on your smartphone and click LIVE VIEW.
5. Go to the settings menu and tap FIRMWARE UPGRADE. Confirm the upgrade in your App. The upgrade process will put PICO device in the upgrade mode.
6. Long press the  button on your PICO to confirm the firmware upgrade. The upgrade process can take a few minutes to complete.
7. After the upgrade, PICO reboots and is ready to use.

If there is no FIRMWARE UPGRADE option in the application menu (step 5), please make sure that you have updated your App to the latest version.



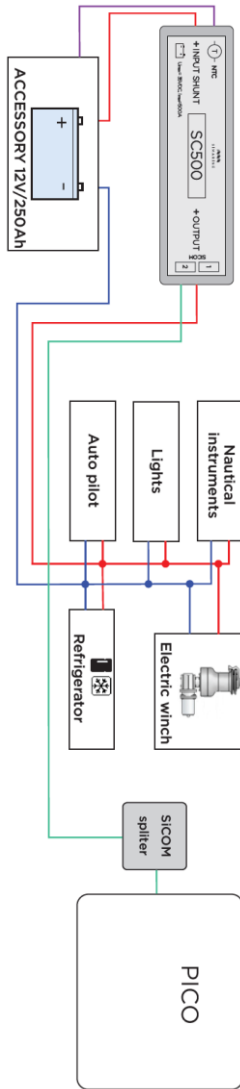
10 Technical Specifications

Operating	
Voltage range	6 – 35 V
Temperature range	-10 – +70 °C (+10 – +160 °F)
Power consumption at 12V	
Operating, Wi-Fi on, 100% illumination	90 mA
Operating, Wi-Fi off, 70% illumination	35 mA
Stand by, Wi-Fi off, 0% illumination	18 mA
Power off, logger still active	5 mA
Resolution	
Current	± 0.01 A
Voltage	± 0.01 V
Amp hours	± 0.1 Ah
State of charge (0 - 100%)	± 0.1 %
Temperature	± 0.1 °C/°F
Barometer	
Operating range	950 – 1080 hPa
WIFI	
Radio frequency bands	2.4 GHz
Dimensions (without connector)	
Standalone	98 x 84 x 10 mm
	3.85 x 3.30 x 0.39 in
Panel	108.5 x 94 x 10 mm
	4.27 x 3.70 x 0.39 in
Connectivity	
Batteries	Up to 6
Shunts	24
Temperature sensors	10
Tank level sensors	14
Inclinometer sensors	2
Smart phone application	1
Logger capacity	up to 3 months



11 APPENDIX

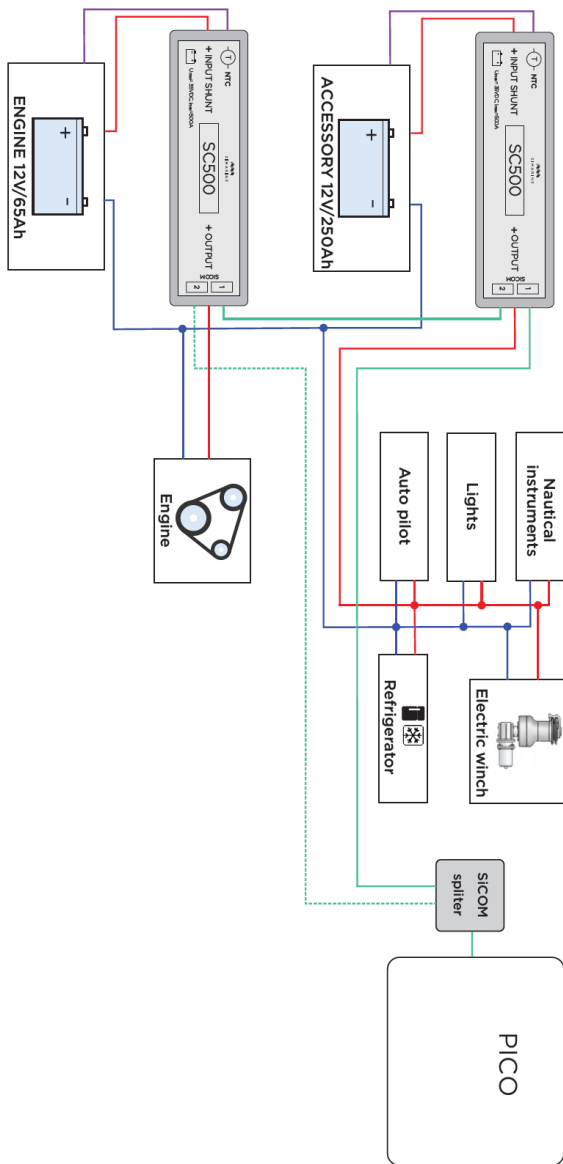
11.1 SC500





SIMARINE

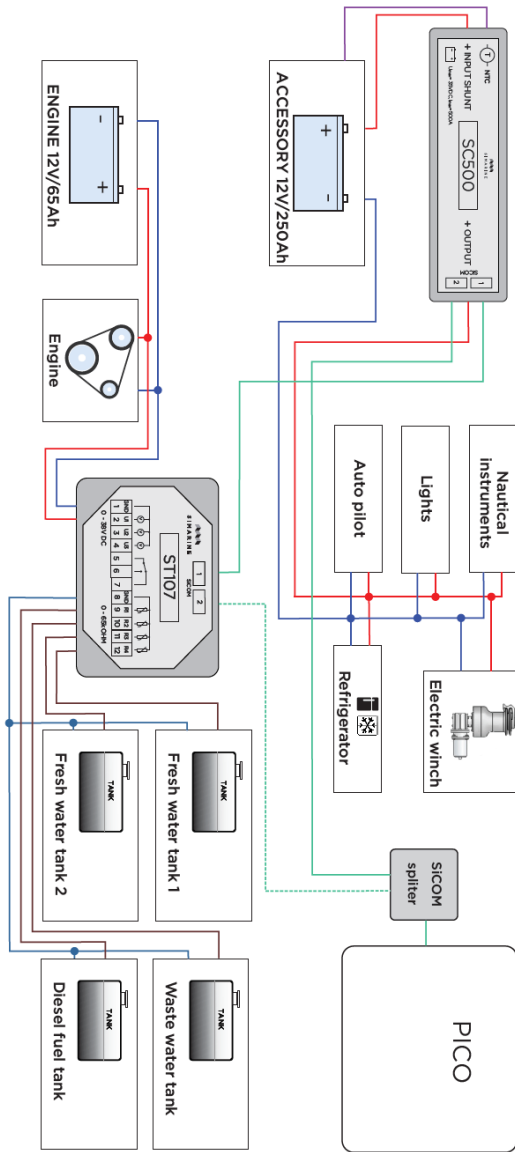
11.2 2x SC500



EN

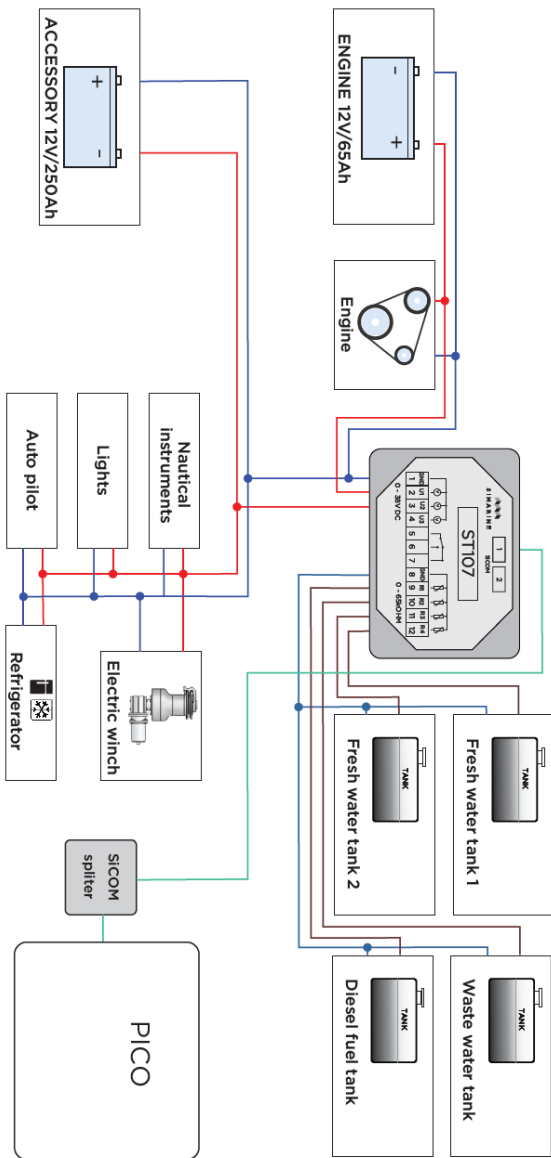


11.3 SC500 AND ST107



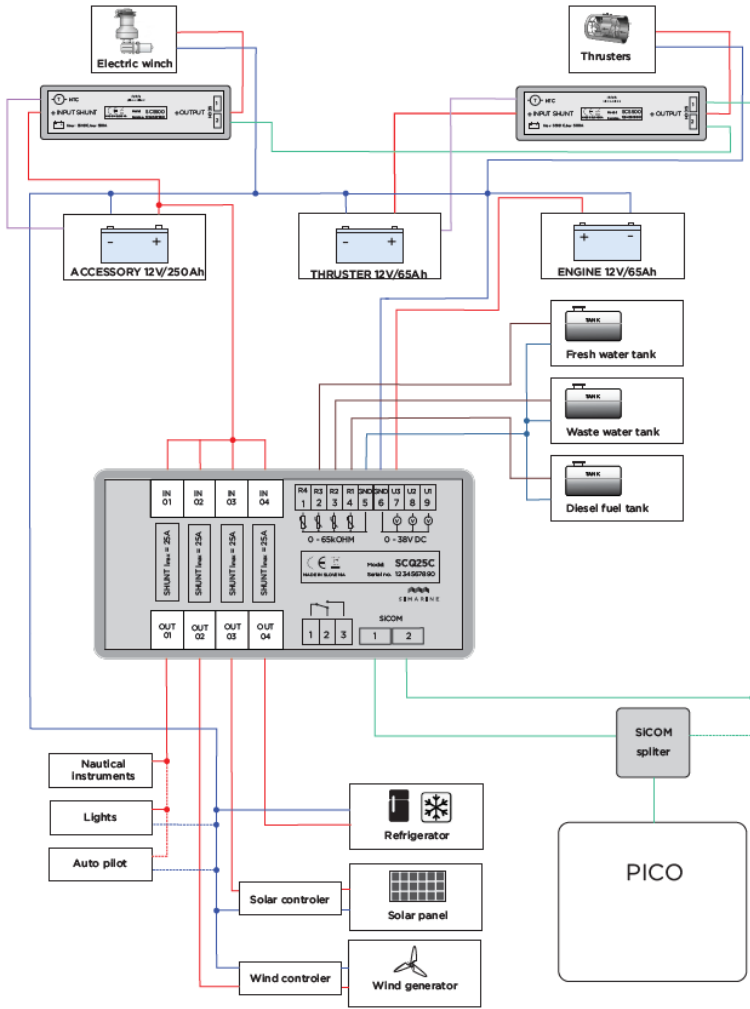


11.4 ST107





11.5 SCQ25T



- Note:
- +
 - -
 - data
 - temperature
 - alternative



Please visit
www.simarine.net/manuals
for most recent User Manuals.

© 2018 Simarine d.o.o. All rights reserved.

No part of this manual may be copied or reproduced without Simarine's written permission. Information in this manual is subject to change without notice.

Android is a trademark of Google LLC.

iPhone is a trademark of Apple Inc.

Gorilla is a trademark of Corning Inc.